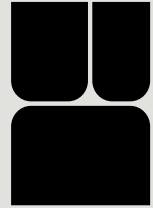


Instructions

Tabata LN10 Luca Nichetto 2022



Please read these instructions carefully and retain them for future reference to ensure the product is used correctly. For your own safety, please study each step of this instruction manual first. &Tradition is not responsible for any faults or damage caused by not following these instructions correctly. Do not modify this product in any way. If you have any questions or comments, please do not hesitate to contact us by mail on: info@andtradition.com

&Tradition[®]

Tabata LN10

Luca Nichetto

2022

Safety precautions

- Dispose of plastic bag from packaging and do not allow children to play with it.
- Keep product well out of children's reach.
- The lamp is only intended for interior use.
- Consult a professionally qualified electrician if in any doubt.
- Disconnect the electricity supply at the fuse box, before commencing work.

Contents

- A** Tabata lamp
- B** Wall bracket
- C** Allen Key
- D** Gloves (only used for glossy version)

Tools needed

- 4 x GU10 light bulb
- Screwdriver

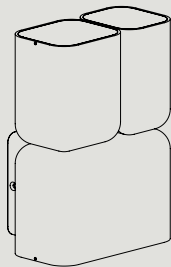
Cleaning instructions

- Wipe surface of the glass shade with a soft, damp sponge or cloth, and wipe immediately with a dry cloth.
- Do not use any abrasive cleaning tools such as steel wool, scouring sponges or stiff brushes.
- Never use strong cleaning agents such as white spirit, terpentine, household glass cleaner or cellulose thinners.
- Only wipe the inside of the shade with a soft, damp cloth or feather duster.

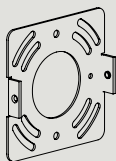
Recommendation

- Use the gloves provided to avoid fingerprints on the surface when mounting. Only applies for the glossy version.

A



B



C



D



10/23

For indoor use only
GU10 Maximum 10W
Bulbs not included



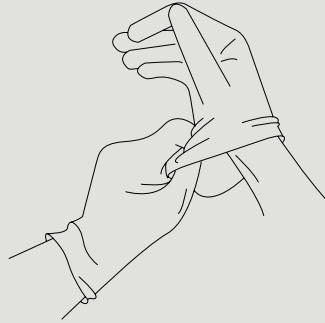
&Tradition®

**For installation please follow
step 1-7**

Step 1 / 7

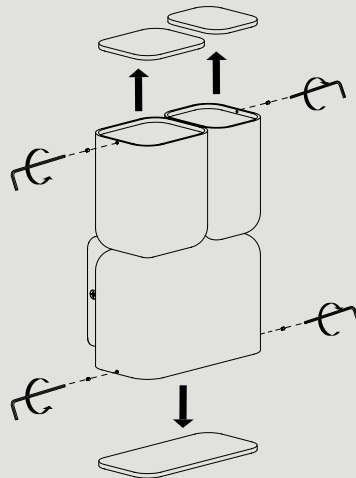
Before starting put on the gloves. To avoid fingerprints on the surface during installation.

(Only relevant for the glossy version, if not relevant just skip this step)



Step 2 / 7

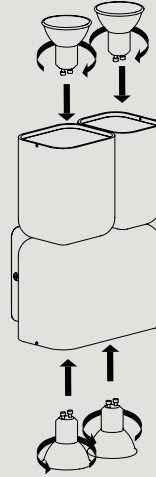
To install light bulbs please use the Allen key to unscrew the small screws on the side of the shade and lift off the diffuser.



Hard-wired version

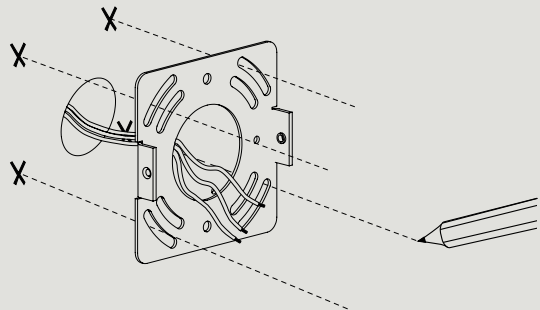
Step 3 / 7

Install the light bulbs and remount the diffusers. Be sure to install the matt side of the diffuser facing outwards.



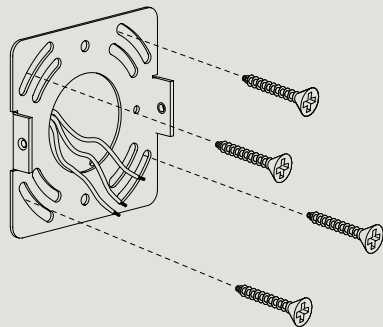
Step 4 / 7

Place the wall bracket on top of a spirit level in the desired location of the lamp. Ensure the bracket is levelled and mark the placement of the holes with a pencil.



Step 5 / 7

Drill holes for the bracket and use a suitable screw and plug for the desired wall the lamp is to be installed on. Tighten the screws and ensure the bracket is safely fixed.



Step 6 / 7

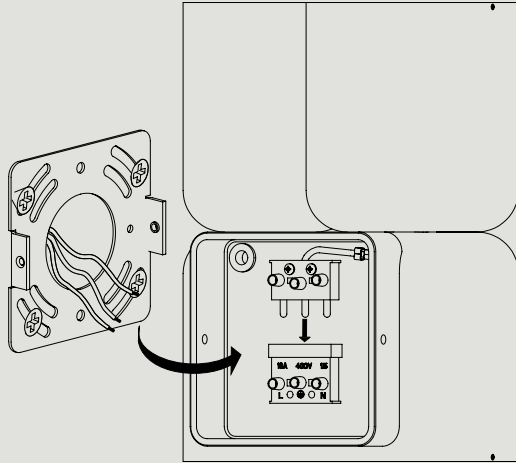
Install the wires from the outlet into the terminal connector by pulling out the bottom part of the terminal connector for easier installation.

Connect the blue supply wire to the fixture marked 'N'.

Connect the brown supply wire to the fixture marked 'L'.

Connect the yellow/green wire to the fixture marked \ominus .

Reconnect the bottom part of the terminal when finished.



Step 7 / 7

Place the lamp carefully on the wall bracket. Insert and tighten screws to fix the lamp to the wall bracket.

